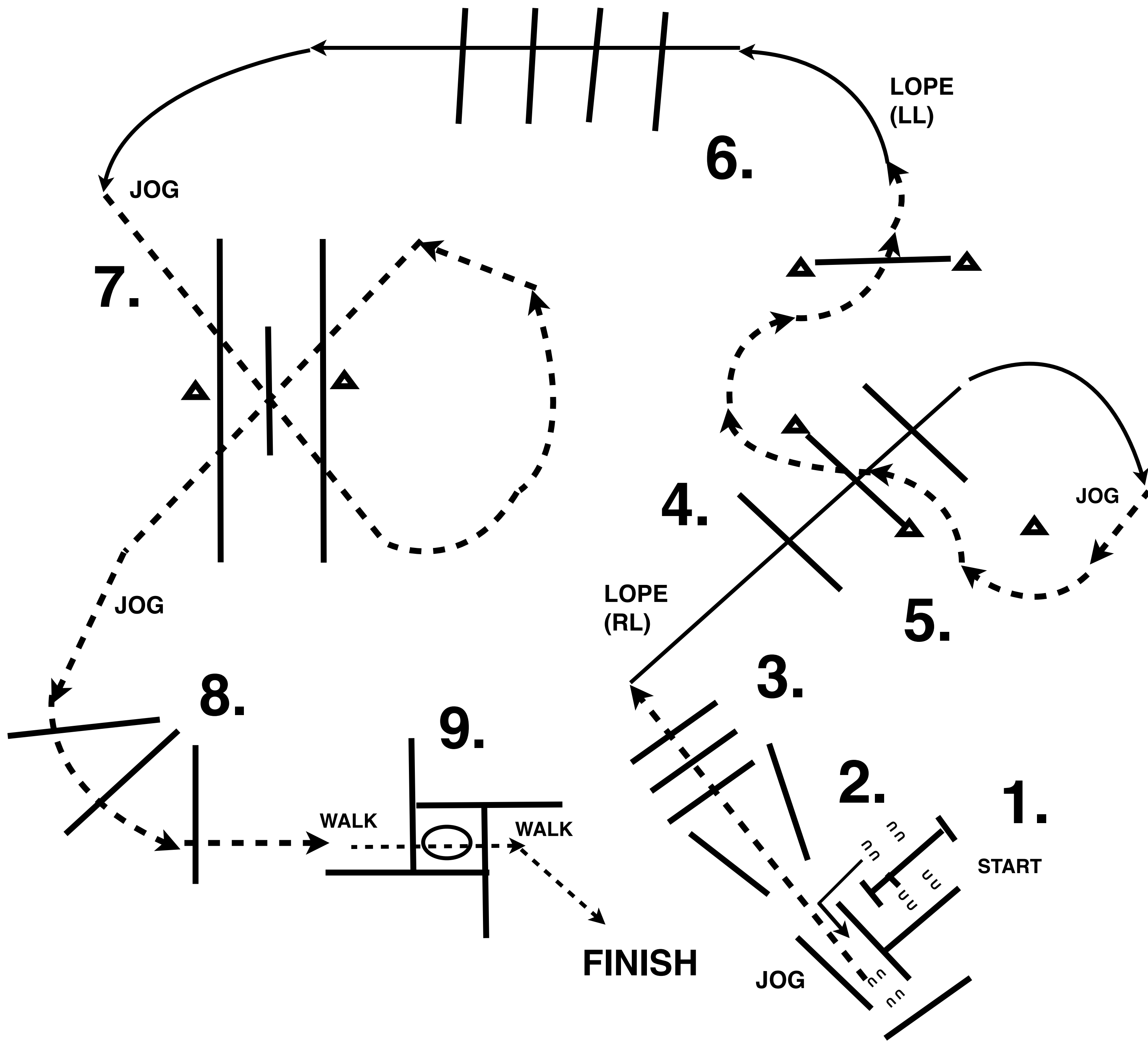


TRAIL COURSES DESIGNED BY:
TIM THE TRAIL MAN LLC.
COPYRIGHT 2014. ALL RIGHTS RESERVED



1. GATE: RIGHT HAND RIDE THRU CLOSE.
2. BACK THRU POLES, JOG OUT CHUTE.
3. JOG OVER POLES
4. LOPE OVER POLES (RIGHT LEAD)
5. JOG THRU SERPENTINE, JOG OVER POLES
6. LOPE OVER POLES (LEFT LEAD).

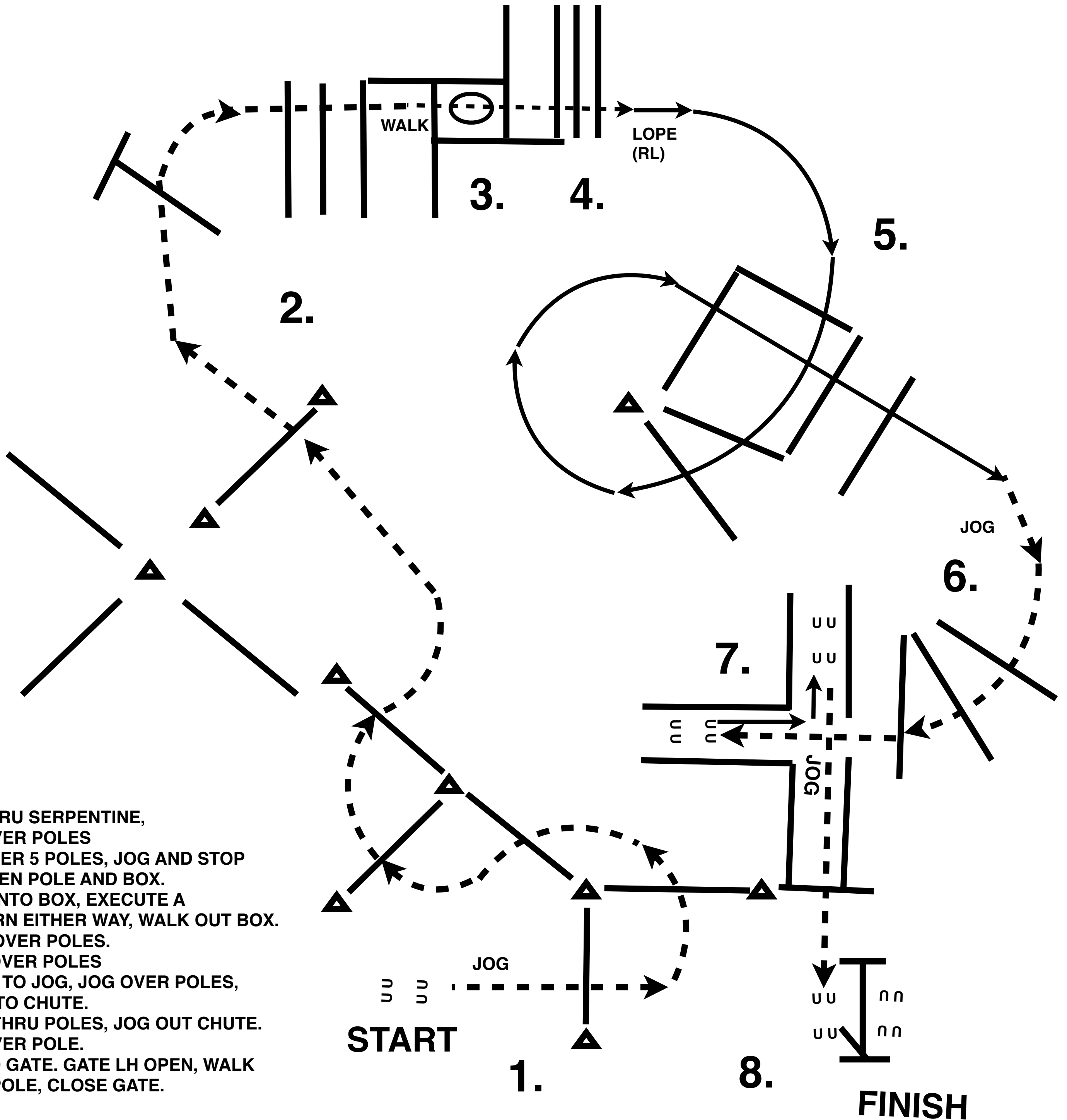
7. BREAK TO JOG, JOG OVER POLES.
8. JOG OVER POLES.
9. WALK INTO BOX, 360 TURN EITHER WAY, WALK OUT BOX.

Pattern 3

25 x 50

Jun. Trail

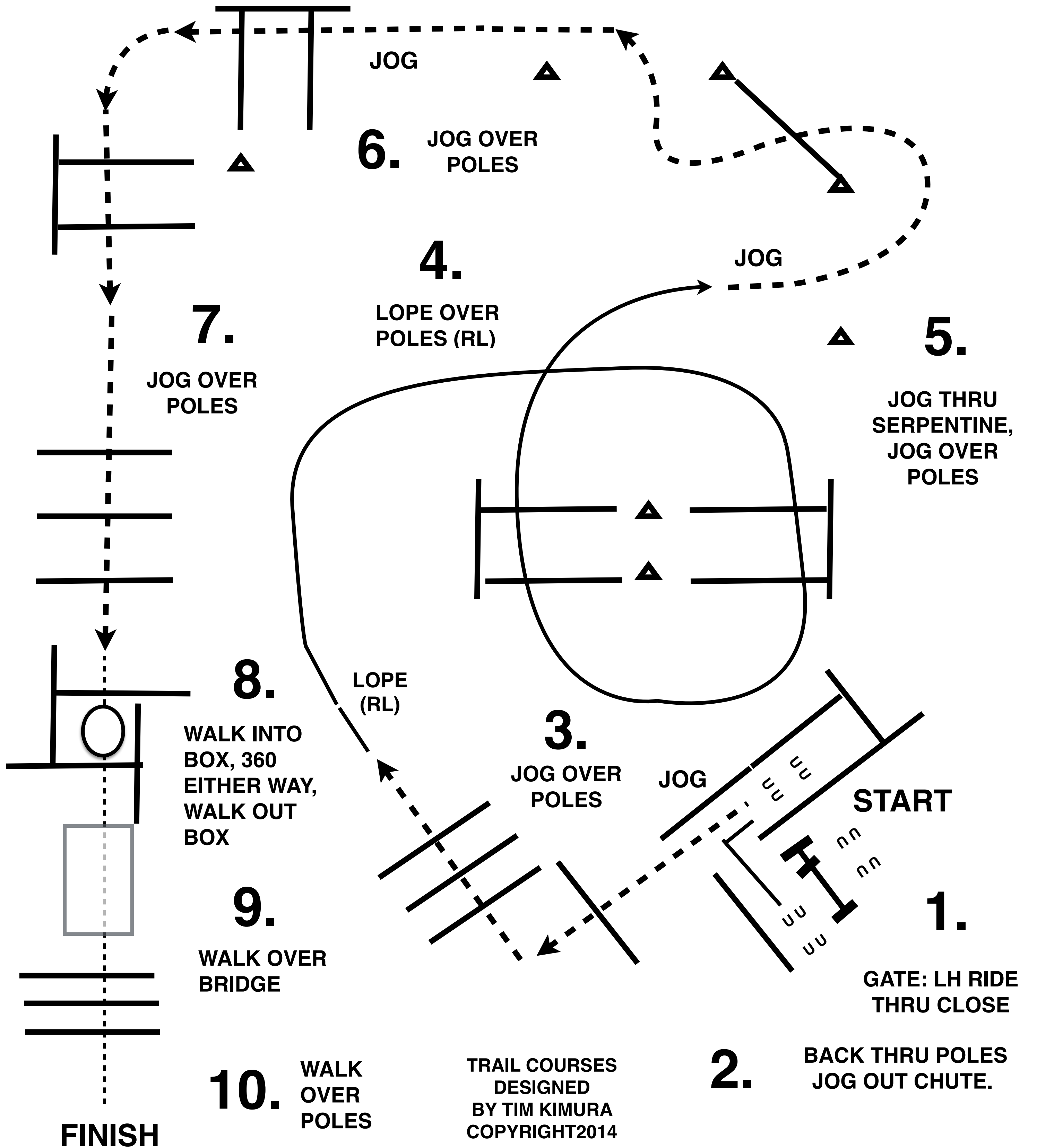
TRAIL COURSES DESIGNED BY:
TIM THE TRAIL MAN LLC
COPYRIGHT 2013. ALL RIGHTS RESERVED.



1. JOG THRU SERPENTINE,
JOG OVER POLES
2. JOG OVER 5 POLES, JOG AND STOP
BETWEEN POLE AND BOX.
3. WALK INTO BOX, EXECUTE A
360 TURN EITHER WAY, WALK OUT BOX.
4. WALK OVER POLES.
5. LOPE OVER POLES
6. BREAK TO JOG, JOG OVER POLES,
JOG INTO CHUTE.
7. BACK THRU POLES, JOG OUT CHUTE.
JOG OVER POLE.
8. JOG TO GATE. GATE LH OPEN, WALK
OVER POLE, CLOSE GATE.

Pattern 4

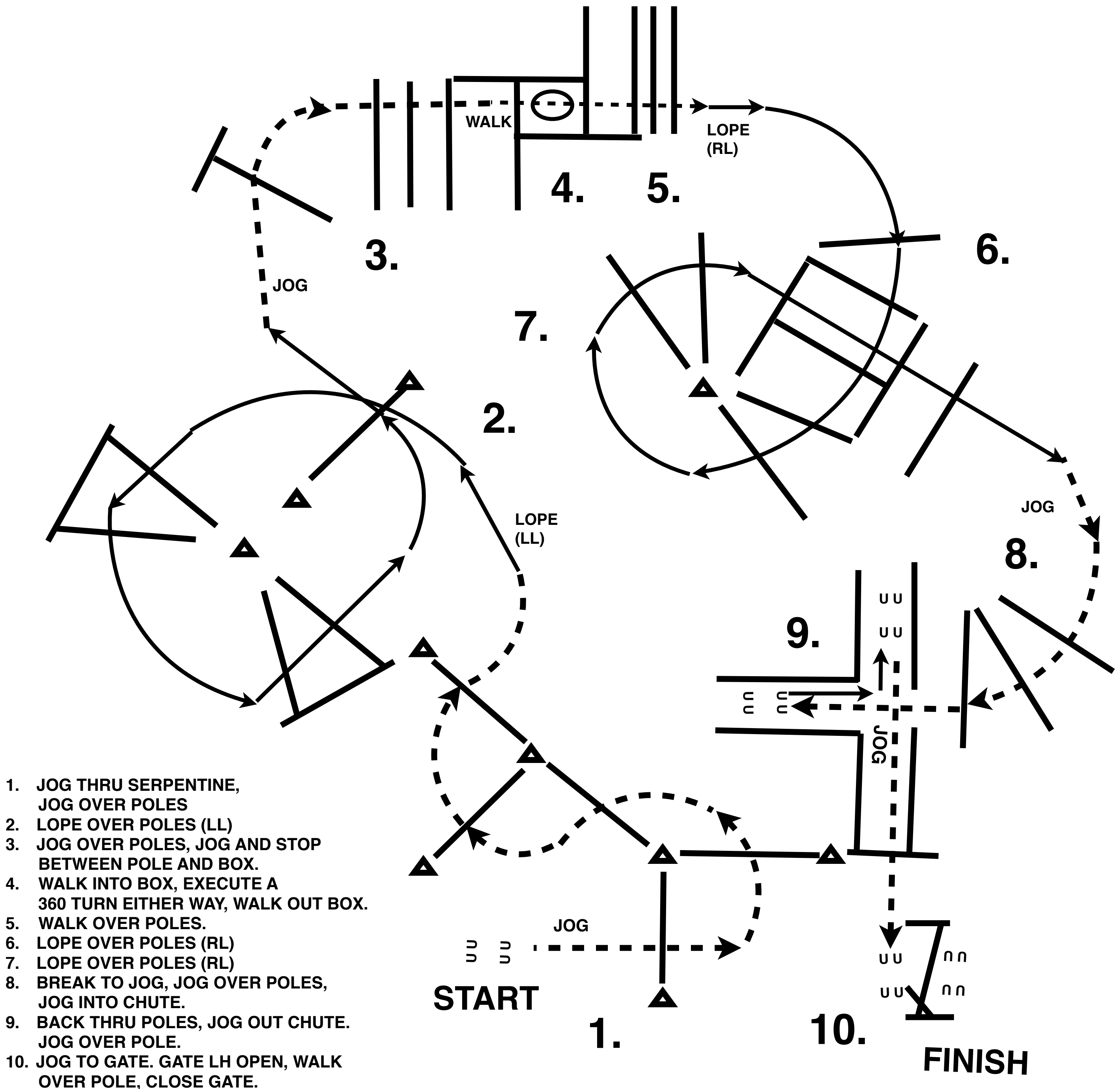
**TRAIL 20 x 40
JUNIOR HORSE**



Pattern 5

**TRAIL:
SENIOR HORSES**

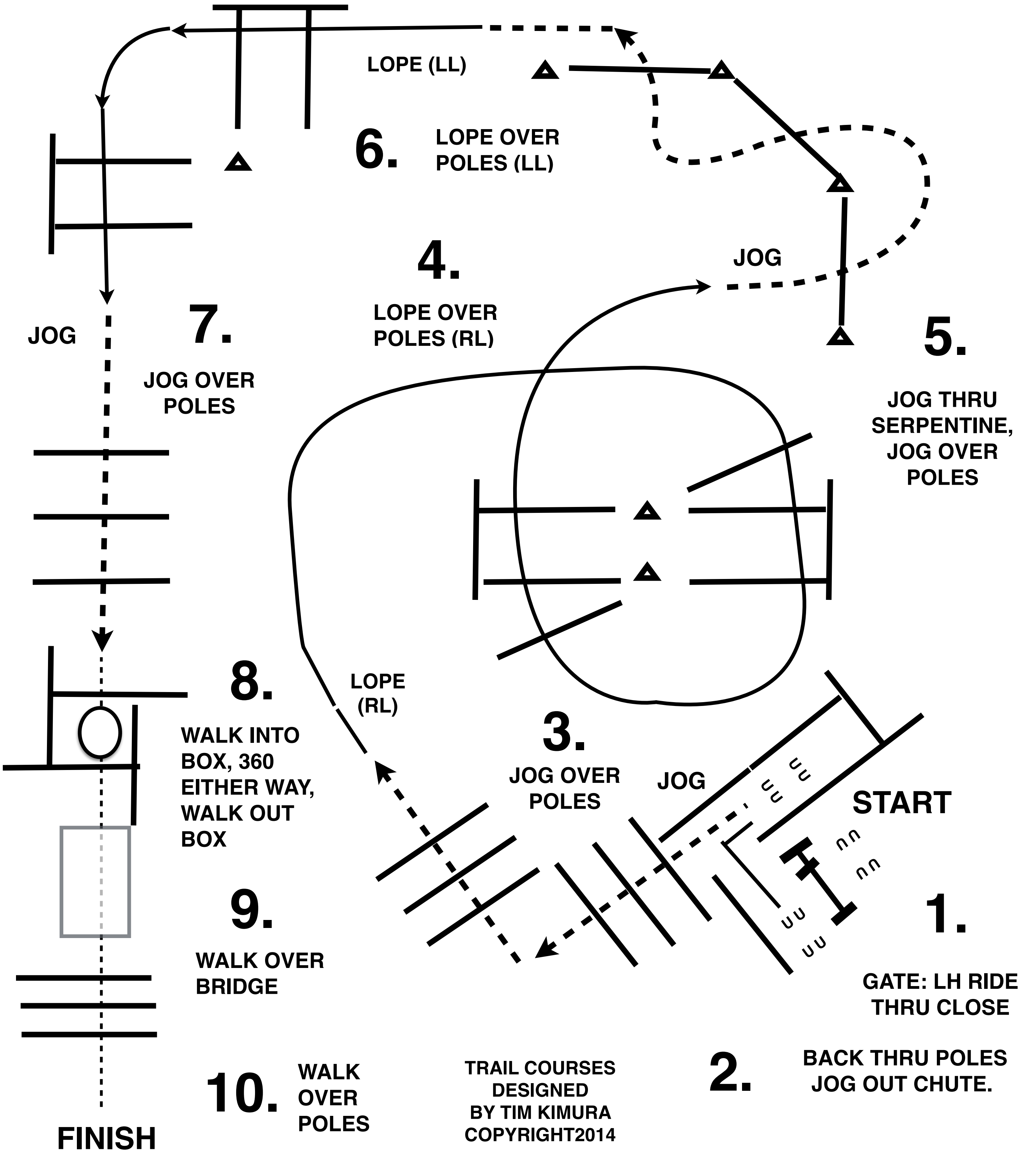
TRAIL COURSES DESIGNED BY:
TIM THE TRAIL MAN LLC
COPYRIGHT 2013. ALL RIGHTS RESERVED.



1. JOG THRU SERPENTINE, JOG OVER POLES
2. LOPE OVER POLES (LL)
3. JOG OVER POLES, JOG AND STOP BETWEEN POLE AND BOX.
4. WALK INTO BOX, EXECUTE A 360 TURN EITHER WAY, WALK OUT BOX.
5. WALK OVER POLES.
6. LOPE OVER POLES (RL)
7. LOPE OVER POLES (RL)
8. BREAK TO JOG, JOG OVER POLES, JOG INTO CHUTE.
9. BACK THRU POLES, JOG OUT CHUTE. JOG OVER POLE.
10. JOG TO GATE. GATE LH OPEN, WALK OVER POLE, CLOSE GATE.

Pattern 6

**TRAIL
SENIOR HORSE**

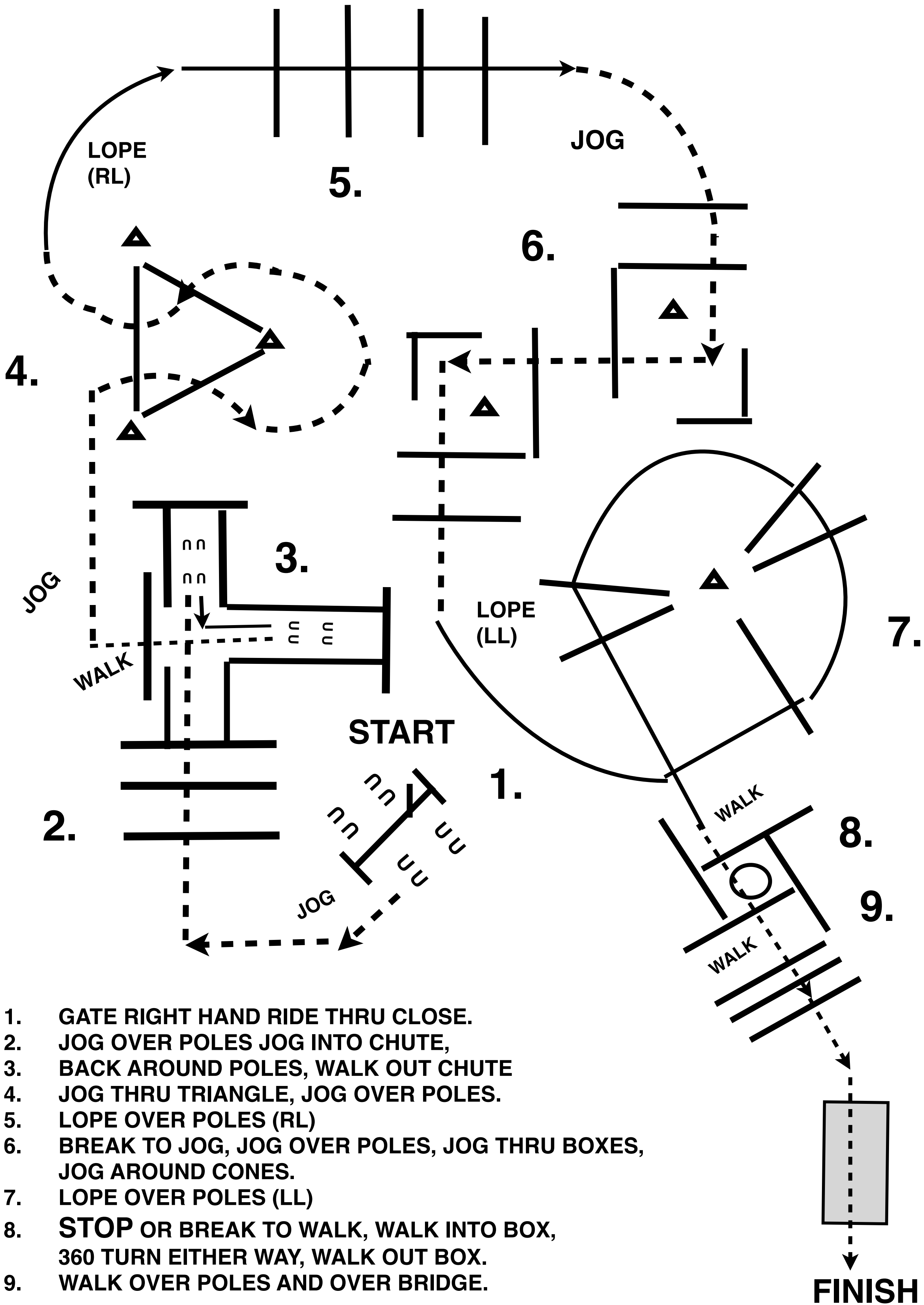


Pattern 7

TRAIL COURSES
DESIGNED BY
TIM KIMURA
COPYRIGHT2014

**TRAIL:
SENIOR HORSES**

5



1. GATE RIGHT HAND RIDE THRU CLOSE.
2. JOG OVER POLES JOG INTO CHUTE,
3. BACK AROUND POLES, WALK OUT CHUTE
4. JOG THRU TRIANGLE, JOG OVER POLES.
5. LOPE OVER POLES (RL)
6. BREAK TO JOG, JOG OVER POLES, JOG THRU BOXES,
7. JOG AROUND CONES.
8. STOP OR BREAK TO WALK, WALK INTO BOX,
9. WALK OVER POLES AND OVER BRIDGE.

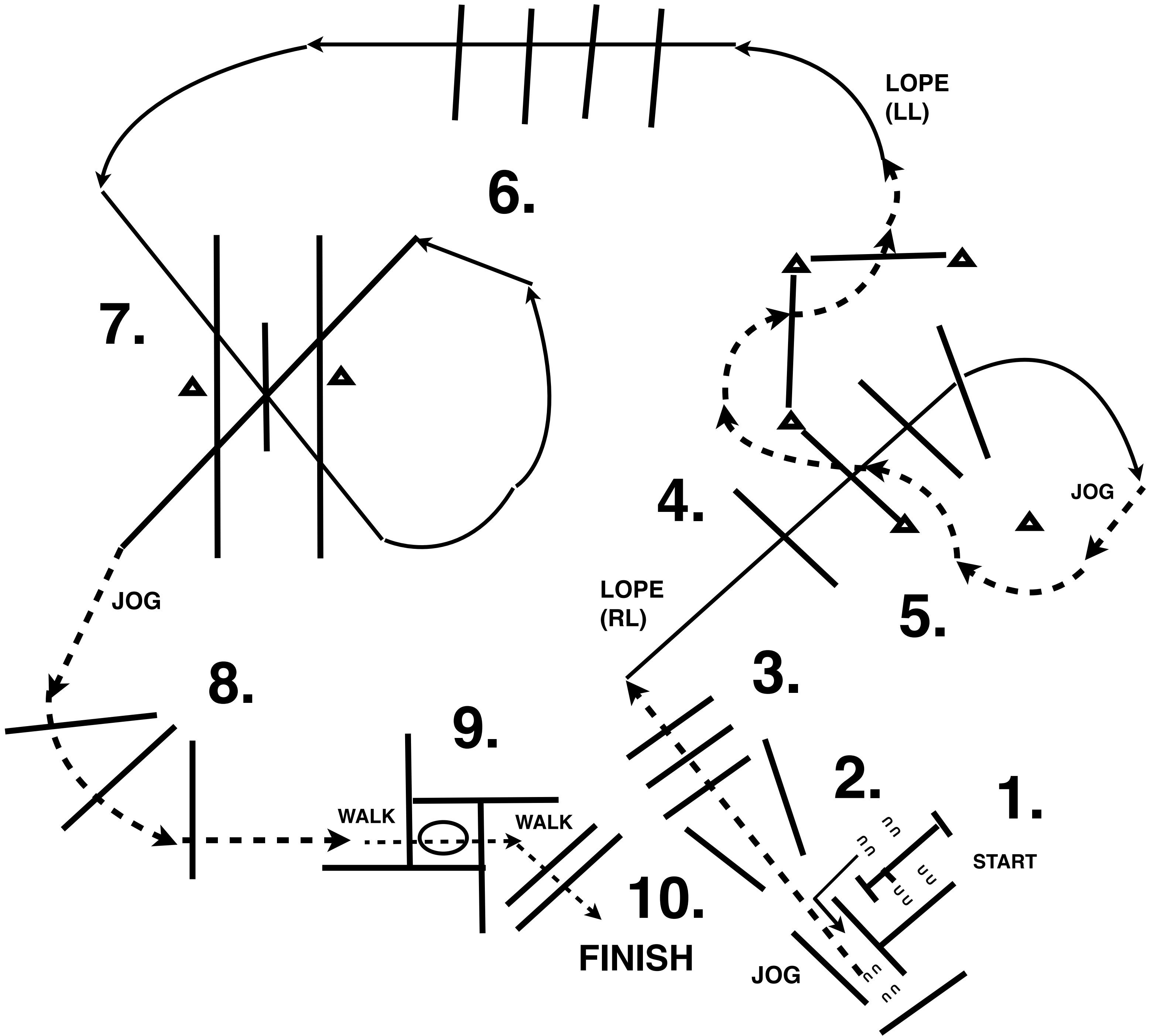
FINISH

Pattern 8

Senior Trail

25 X 50

TRAIL COURSES DESIGNED BY:
TIM THE TRAIL MAN LLC.
COPYRIGHT 2014. ALL RIGHTS RESERVED



1. GATE: RIGHT HAND RIDE THRU CLOSE.

2. BACK THRU POLES, JOG OUT CHUTE.

3. JOG OVER POLES

4. LOPE OVER POLES (RIGHT LEAD)

5. JOG THRU SERPENTINE, JOG OVER POLES

6. LOPE OVER POLES (LEFT LEAD).

7. LOPE OVER POLES (LEFT LEAD).

8. BREAK TO JOG, JOG OVER POLES.

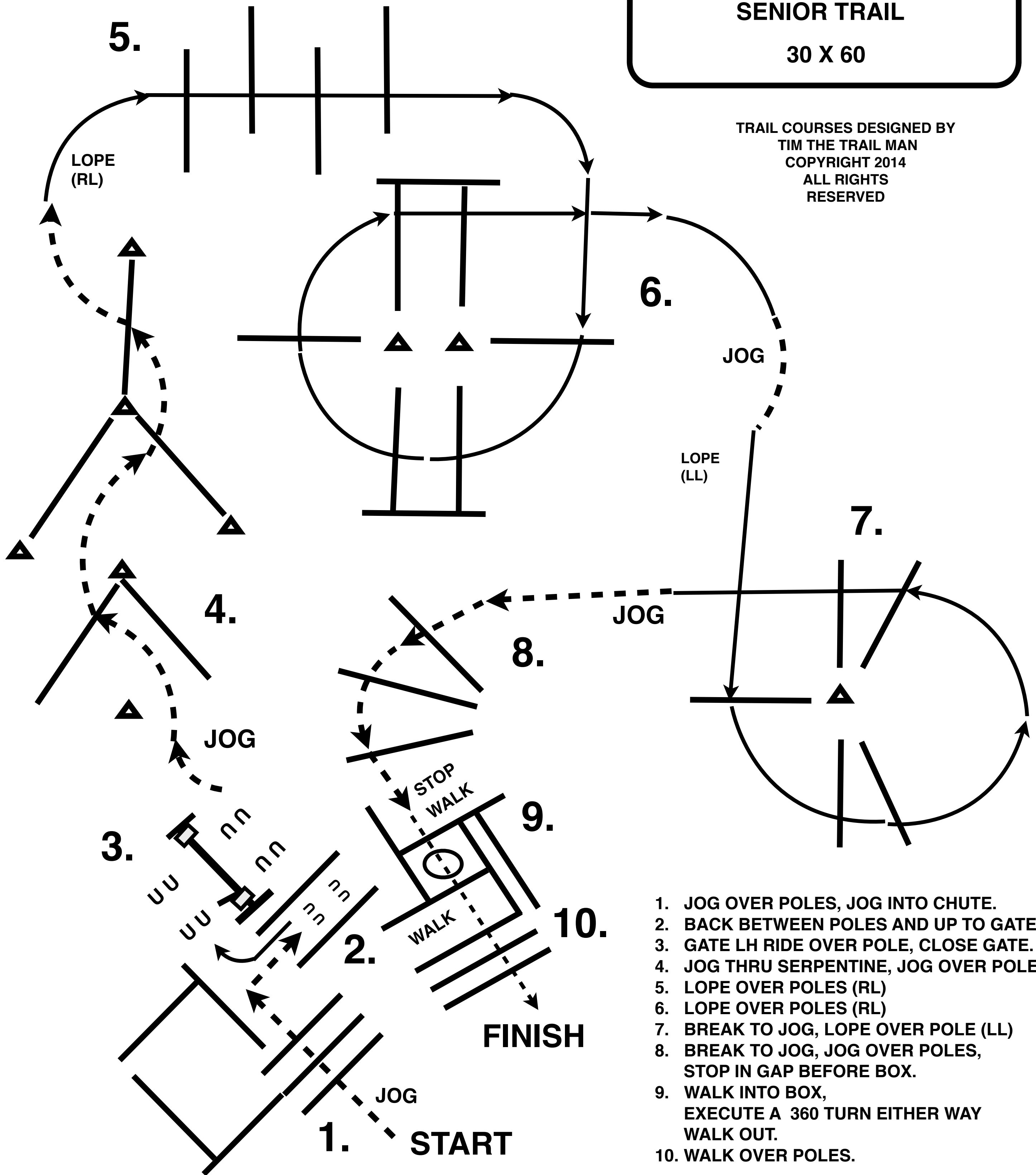
9. STOP OR BREAK TO WALK, WALK INTO BOX, 360 TURN EITHER WAY, WALK OUT.

10. WALK OVER POLES.

Pattern 9

SENIOR TRAIL
30 X 60

TRAIL COURSES DESIGNED BY
TIM THE TRAIL MAN
COPYRIGHT 2014
ALL RIGHTS
RESERVED



1. JOG OVER POLES, JOG INTO CHUTE.
2. BACK BETWEEN POLES AND UP TO GATE.
3. GATE LH RIDE OVER POLE, CLOSE GATE.
4. JOG THRU SERPENTINE, JOG OVER POLES.
5. LOPE OVER POLES (RL)
6. LOPE OVER POLES (RL)
7. BREAK TO JOG, LOPE OVER POLE (LL)
8. BREAK TO JOG, JOG OVER POLES, STOP IN GAP BEFORE BOX.
9. WALK INTO BOX, EXECUTE A 360 TURN EITHER WAY WALK OUT.
10. WALK OVER POLES.